

MAGNETIC SHIELDED POWER CHIP INDUCTOR

屏蔽式功率电感



PSPE Series



深圳高路瑞电子有限公司

Shenzhen Glory Electronics Co., Ltd.

Tel: 0755-2342 5572

FAX: 158 8976 3756

Website: [www.gloryelectr.com](http://www.gloryelectr.com)

E-mail: [glory@gloryelectr.com](mailto:glory@gloryelectr.com)

# Magnetic Shielded Power Chip Inductor-PSPE Series

## 屏蔽式功率电感-PSPE 系列



### INTRODUCTION AND CHARACTERISTICS 产品介绍及特性

#### INTRODUCTION

◆ These revolutionary, highly reliable wire wound power chip inductors for automatic mounting have been developed in response to the trend toward high density in electronic equipment. The basic function of wire wound chip inductors is filtering, oscillation, delay, trap, etc. Its magnetic shielded type is suitable for high-density mounting and flat bottom surface allows for reliable mounting onto the board.

#### 产品介绍

◆ 为了适应电子设备渐趋高密度的集成方式，我们开发了高可靠性的绕线功率电感。绕线电感基本作用是滤波、振荡、延迟、陷波等。良好的焊接性和磁屏蔽特性使其适合高密度表面安装。

#### CHARACTERISTICS

- ◆ Various high power inductors are superior to be high saturation
- ◆ Excellent solderability and high heat resistance for reflow soldering or wave soldering
- ◆ Various high power surface mountable type inductors are superior to high saturation
- ◆ No cross coupling due to magnetic shield

#### 特性

- ◆ 大功率，高饱和电流，低阻抗
- ◆ 良好的焊接性，适合于回流焊或波峰焊
- ◆ 多种尺寸适合表面高密度贴装
- ◆ 良好的磁屏蔽，无交叉耦合

#### APPLICATIONS

- ◆ LCD television
- ◆ Power supply choke for small electrical equipments such as VTR, LCD display, Notebook, communication equipment, and so on

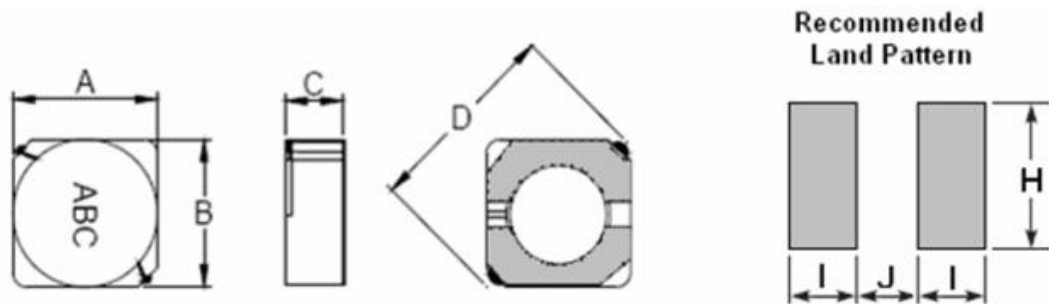
#### 应用产品

- ◆ LCD 电视
- ◆ 录像机、液晶显示器、笔记本电脑、通讯、设备、办公自动化等电子设备的电源扼流

**PRODUCT IDENTIFICATION 产品型号**

**PSPE 5D18 F 2R2 N T**  
 ① ② ③ ④ ⑤ ⑥

①Product Series Code 产品系列码	PSPE	Magnetic Shielded Power Chip Inductor-E Type Base 屏蔽式功率电感-E 型结构
②External Dimensions 外形尺寸	--	3D16~6D38
③Material Code 材质代号	F	材质代号
④Inductance Value Code 感量值	2R2	2.2uH
	330	33uH
⑤Inductance Tolerance 电感值公差	M	±20%
	N	±30%
⑥Packing 包装形式	T	Tape and Reel 编带

**SHAPE AND DIMENSIONS 外观尺寸**
**RECOMMENDED LAND PATTERN 推荐的焊盘尺寸**


Unit:mm

TYPE	A max.	B max.	C max.	D typ.	I typ.	J typ.	H typ.
PSPE3D16	4.2	4.2	1.8	5.5	1.7	1.1	4.5
PSPE3D18	4.2	4.2	2.1	5.5	1.7	1.1	4.5
PSPE3D28	4.2	4.2	3.2	5.5	1.7	1.1	4.5
PSPE4D18	5.0	5.0	2.0	6.9	1.9	1.5	5.3
PSPE4D28	5.0	5.0	3.0	6.9	1.9	1.5	5.3
PSPE5D18	6.0	6.0	2.0	8.2	2.1	2.0	6.3
PSPE5D28	6.0	6.0	3.0	8.2	2.1	2.0	6.3
PSPE6D28	7.0	7.0	3.0	9.5	2.6	2.0	7.3
PSPE6D38	7.0	7.0	4.0	9.5	2.6	2.0	7.3

**SPECIFICATIONS 规格特性****PSPE 3D16 TYPE**

Part Number 型号	Inductance 电感量 L	L Test Condition L 测试频率	DC Resistance 直流电阻 RDC	Rated Current 额定电流 Ir
Units 单位	uH	KHz/V	Ω	mA
PSPE3D16F1R5NT	1.5	100/0.3	0.052	1350
PSPE3D16F2R2NT	2.2	100/0.3	0.072	1200
PSPE3D16F3R3NT	3.3	100/0.3	0.085	1100
PSPE3D16F4R7NT	4.7	100/0.3	0.105	900
PSPE3D16F6R8NT	6.8	100/0.3	0.170	730
PSPE3D16F8R2NT	8.2	100/0.3	0.190	660
PSPE3D16F100MT	10	1/0.3	0.210	550
PSPE3D16F150MT	15	1/0.3	0.295	450
PSPE3D16F220MT	22	1/0.3	0.430	400
PSPE3D16F330MT	33	1/0.3	0.660	320

**PSPE 3D18 TYPE**

Part Number 型号	Inductance 电感量 L	L Test Condition L 测试频率	DC Resistance 直流电阻 RDC	Rated Current 额定电流 Ir
Units 单位	uH	KHz/V	Ω	mA
PSPE3D18F3R3NT	3.3	100/0.3	0.088	1450
PSPE3D18F4R7NT	4.7	100/0.3	0.107	1350
PSPE3D18F6R8NT	6.8	100/0.3	0.150	1100
PSPE3D18F8R2NT	8.2	100/0.3	0.185	1000
PSPE3D18F100MT	10	1/0.3	0.205	900
PSPE3D18F150MT	15	1/0.3	0.301	750
PSPE3D18F220MT	22	1/0.3	0.424	600
PSPE3D18F330MT	33	1/0.3	0.640	450
PSPE3D18F470MT	47	1/0.3	0.946	350

**PSPE 3D28 TYPE**

Part Number 型号	Inductance 电感量 L	L Test Condition L 测试频率	DC Resistance 直流电阻 RDC	Rated Current 额定电流 Ir
Units 单位	uH	KHz/V	Ω	mA
PSPE3D28F3R3NT	3.3	100/0.3	0.072	2000
PSPE3D28F4R7NT	4.7	100/0.3	0.088	1650



PSPE3D28F6R8NT	6.8	100/0.3	0.119	1240
PSPE3D28F8R2NT	8.2	100/0.3	0.132	1150
PSPE3D28F100MT	10	1/0.3	0.145	1050
PSPE3D28F150MT	15	1/0.3	0.213	900
PSPE3D28F220MT	22	1/0.3	0.335	760
PSPE3D28F330MT	33	1/0.3	0.481	580
PSPE3D28F470MT	47	1/0.3	0.599	480

**SPECIFICATIONS 规格特性****PSPE 4D18 TYPE**

Part Number 型号	Inductance 电感量 L	L Test Condition L 测试频率	DC Resistance 直流电阻 RDC	Rated Current 额定电流 Ir
Units 单位	uH	KHz/V	Ω	mA
PSPE4D18F1R0NT	1.0	100/0.3	0.045	1720
PSPE4D18F2R2NT	2.2	100/0.3	0.075	1320
PSPE4D18F2R7NT	2.7	100/0.3	0.105	1280
PSPE4D18F3R3NT	3.3	100/0.3	0.110	1040
PSPE4D18F3R9NT	3.9	100/0.3	0.155	880
PSPE4D18F4R7NT	4.7	100/0.3	0.162	840
PSPE4D18F5R6NT	5.6	100/0.3	0.170	800
PSPE4D18F6R8NT	6.8	100/0.3	0.190	760
PSPE4D18F8R2NT	8.2	100/0.3	0.195	680
PSPE4D18F100MT	10	1/0.3	0.200	610
PSPE4D18F120MT	12	1/0.3	0.210	560
PSPE4D18F150MT	15	1/0.3	0.240	500
PSPE4D18F180MT	18	1/0.3	0.228	480
PSPE4D18F220MT	22	1/0.3	0.397	410
PSPE4D18F270MT	27	1/0.3	0.441	350
PSPE4D18F330MT	33	1/0.3	0.694	320
PSPE4D18F390MT	39	1/0.3	0.709	300
PSPE4D18F470MT	47	1/0.3	0.922	280
PSPE4D18F560MT	56	1/0.3	1.080	260
PSPE4D18F680MT	68	1/0.3	1.300	240
PSPE4D18F820MT	82	1/0.3	1.560	220
PSPE4D18F101MT	100	1/0.3	1.730	200
PSPE4D18F121MT	120	1/0.3	2.390	180
PSPE4D18F151MT	150	1/0.3	2.670	150

**SPECIFICATIONS 规格特性****PSPE 4D28 TYPE**

Part Number 型号	Inductance 电感量 L	L Test Condition L 测试频率	DC Resistance 直流电阻 RDC	Rated Current 额定电流 Ir
Units 单位	uH	KHz/V	Ω	mA
PSPE4D28F1R0NT	1.0	100/0.3	0.022	2600
PSPE4D28F1R2NT	1.2	100/0.3	0.024	2560
PSPE4D28F2R2NT	2.2	100/0.3	0.031	2040
PSPE4D28F3R3NT	3.3	100/0.3	0.049	1570
PSPE4D28F4R7NT	4.7	100/0.3	0.072	1320
PSPE4D28F5R6NT	5.6	100/0.3	0.101	1170
PSPE4D28F6R8NT	6.8	100/0.3	0.108	1120
PSPE4D28F8R2NT	8.2	100/0.3	0.118	1040
PSPE4D28F100MT	10	1/0.3	0.128	1000
PSPE4D28F120MT	12	1/0.3	0.132	840
PSPE4D28F150MT	15	1/0.3	0.149	760
PSPE4D28F180MT	18	1/0.3	0.165	720
PSPE4D28F220MT	22	1/0.3	0.235	700
PSPE4D28F330MT	33	1/0.3	0.331	560
PSPE4D28F390MT	39	1/0.3	0.384	500
PSPE4D28F470MT	47	1/0.3	0.587	480
PSPE4D28F560MT	56	1/0.3	0.624	410
PSPE4D28F680MT	68	1/0.3	0.699	350
PSPE4D28F820MT	82	1/0.3	0.915	320
PSPE4D28F101MT	100	1/0.3	1.020	290
PSPE4D28F121MT	120	1/0.3	1.270	270
PSPE4D28F151MT	150	1/0.3	1.350	240

**PSPE 5D18 TYPE**

Part Number 型号	Inductance 电感量 L	L Test Condition L 测试频率	DC Resistance 直流电阻 RDC	Rated Current 额定电流 Ir
Units 单位	uH	KHz/V	Ω	mA
PSPE5D18F3R3NT	3.3	100/0.3	0.053	2000
PSPE5D18F4R7NT	4.7	100/0.3	0.060	1900
PSPE5D18F5R6NT	5.6	100/0.3	0.076	1600
PSPE5D18F6R8NT	6.8	100/0.3	0.105	1400
PSPE5D18F8R2NT	8.2	100/0.3	0.117	1300



PSPE5D18F100MT	10	1/0.3	0.124	1200
PSPE5D18F120MT	12	1/0.3	0.153	1100
PSPE5D18F180MT	18	1/0.3	0.210	850
PSPE5D18F220MT	22	1/0.3	0.290	800
PSPE5D18F270MT	27	1/0.3	0.330	750
PSPE5D18F330MT	33	1/0.3	0.386	650
PSPE5D18F390MT	39	1/0.3	0.520	570
PSPE5D18F470MT	47	1/0.3	0.595	540
PSPE5D18F560MT	56	1/0.3	0.665	500
PSPE5D18F680MT	68	1/0.3	0.840	430
PSPE5D18F820MT	82	1/0.3	0.978	410
PSPE5D18F101MT	100	1/0.3	1.200	360
PSPE5D18F121MT	120	1/0.3	1.500	330
PSPE5D18F151MT	150	1/0.3	1.710	310

**SPECIFICATIONS 规格特性****PSPE 5D28 TYPE**

Part Number 型号	Inductance 电感量 L	L Test Condition L 测试频率	DC Resistance 直流电阻 RDC	Rated Current 额定电流 Ir
Units 单位	uH	KHz/V	Ω	mA
PSPE5D28F2R2NT	2.2	100/0.3	0.017	2600
PSPE5D28F3R3NT	3.3	100/0.3	0.029	2400
PSPE5D28F4R7NT	4.7	100/0.3	0.039	2100
PSPE5D28F6R8NT	6.8	100/0.3	0.048	1850
PSPE5D28F8R2NT	8.2	100/0.3	0.057	1580
PSPE5D28F100MT	10	1/0.3	0.065	1300
PSPE5D28F120MT	12	1/0.3	0.076	1200
PSPE5D28F180MT	18	1/0.3	0.110	1000
PSPE5D28F220MT	22	1/0.3	0.122	900
PSPE5D28F330MT	33	1/0.3	0.189	750
PSPE5D28F470MT	47	1/0.3	0.250	620
PSPE5D28F560MT	56	1/0.3	0.305	580
PSPE5D28F680MT	68	1/0.3	0.355	520
PSPE5D28F820MT	82	1/0.3	0.463	460
PSPE5D28F101MT	100	1/0.3	0.520	420
PSPE5D28F121MT	120	1/0.3	0.560	400
PSPE5D28F151MT	150	1/0.3	0.680	350
PSPE5D28F181MT	180	1/0.3	0.930	320



PSPE5D28F221MT	220	1/0.3	1.150	300
PSPE5D28F271MT	270	1/0.3	1.560	270
PSPE5D28F331MT	330	1/0.3	1.980	250

**SPECIFICATIONS 规格特性****PSPE 6D28 TYPE**

Part Number 型号	Inductance 电感量 L	L Test Condition L 测试频率	DC Resistance 直流电阻 RDC	Rated Current 额定电流 Ir
Units 单位	uH	KHz/V	Ω	mA
PSPE6D28F3R3NT	3.3	100/0.3	26	2800
PSPE6D28F4R7NT	4.7	100/0.3	31	2400
PSPE6D28F6R8NT	6.8	100/0.3	42	2200
PSPE6D28F8R2NT	8.2	100/0.3	55	1950
PSPE6D28F100MT	10	1/0.3	65	1700
PSPE6D28F150MT	15	1/0.3	84	1400
PSPE6D28F180MT	18	1/0.3	95	1320
PSPE6D28F220MT	22	1/0.3	128	1200
PSPE6D28F330MT	33	1/0.3	165	970
PSPE6D28F470MT	47	1/0.3	238	800
PSPE6D28F560MT	56	1/0.3	277	730
PSPE6D28F680MT	68	1/0.3	304	650
PSPE6D28F820MT	82	1/0.3	390	600
PSPE6D28F101MT	100	1/0.3	535	540
PSPE6D28F121MT	120	1/0.3	750	510
PSPE6D28F151MT	150	1/0.3	950	470
PSPE6D28F181MT	180	1/0.3	1.200	410
PSPE6D28F221MT	220	1/0.3	1.500	370
PSPE6D28F271MT	270	1/0.3	1.700	330
PSPE6D28F331MT	330	1/0.3	2.150	280
PSPE6D28F331MT	390	1/0.3	2.750	230

**PSPE 6D38 TYPE**

Part Number 型号	Inductance 电感量 L	L Test Condition L 测试频率	DC Resistance 直流电阻 RDC	Rated Current 额定电流 Ir
Units 单位	uH	KHz/V	Ω	mA
PSPE6D38F1R5NT	1.5	100/0.3	0.015	5200
PSPE6D38F2R2NT	2.2	100/0.3	0.018	4500





PSPE6D38F3R3NT	3.3	100/0.3	0.020	3500
PSPE6D38F4R7NT	4.7	100/0.3	0.025	2800
PSPE6D38F6R8NT	6.8	100/0.3	0.029	2400
PSPE6D38F8R2NT	8.2	100/0.3	0.034	2200
PSPE6D38F100MT	10	1/0.3	0.038	2000
PSPE6D38F120MT	12	1/0.3	0.053	1700
PSPE6D38F150MT	15	1/0.3	0.057	1600
PSPE6D38F180MT	18	1/0.3	0.092	1500
PSPE6D38F220MT	22	1/0.3	0.096	1300
PSPE6D38F270MT	27	1/0.3	0.109	1200
PSPE6D38F330MT	33	1/0.3	0.124	1100
PSPE6D38F390MT	39	1/0.3	0.138	1000
PSPE6D38F470MT	47	1/0.3	0.155	950
PSPE6D38F560MT	56	1/0.3	0.202	850
PSPE6D38F680MT	68	1/0.3	0.234	750
PSPE6D38F820MT	82	1/0.3	0.324	700
PSPE6D38F101MT	100	1/0.3	0.358	650
PSPE6D38F121MT	120	1/0.3	0.470	590
PSPE6D38F151MT	150	1/0.3	0.580	540
PSPE6D38F181MT	180	1/0.3	0.690	490
PSPE6D38F221MT	220	1/0.3	0.890	430
PSPE6D38F271MT	270	1/0.3	1.290	400
PSPE6D38F331MT	330	1/0.3	1.700	370
PSPE6D38F391MT	390	1/0.3	1.750	340
PSPE6D38F471MT	470	1/0.3	2.200	320
PSPE6D38F561MT	560	1/0.3	2.850	290
PSPE6D38F681MT	680	1/0.3	3.200	250
PSPE6D38F821MT	820	1/0.3	4.050	220
PSPE6D38F102MT	1000	1/0.3	5.700	200

※The rated current is a smaller DC current which causes inductance to decrease by 35% or temperature to rise by 40°C.